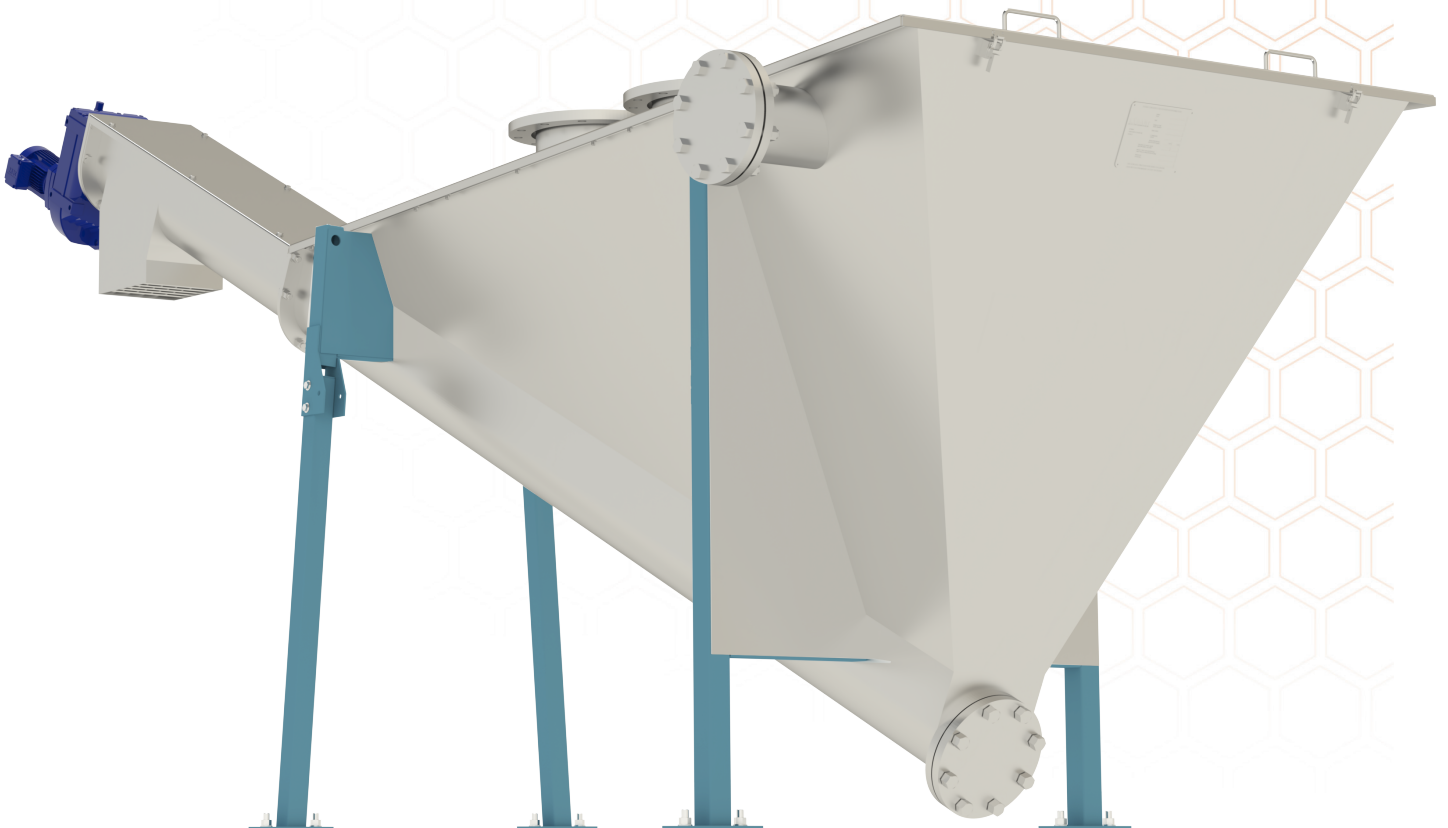


REJECT HANDLING

# SansGrit™ Separator

Dewatering of  
fiber free rejects

FROM WASTE TO WORTH  
**UPCYCLING**



# SansGrit™ Separator

## Applications

The Kadant SansGrit sand and grit separator is a highly efficient dewatering machine designed to concentrate and remove sand, grit, and other contaminants with positive settling characteristics. It is most effective at removing heavy contaminants from secondary fiber reject streams.

## About the SansGrit Separator

The SansGrit separator is fully enclosed with bolted lids on the container and spiral conveyor. An easily opened inspection lid is located near the overflow channel for access. The conveyor trough, equipped with steel wear bars, houses the shaftless spiral screw. The specially designed non-corrugated spiral conveyor eliminates the need for bearings and seals below the water level. The drive unit consists of a geared motor directly mounted on the face of the spiral conveyor.



*SansGrit separator discharge chute*

## Benefits



### Optimizes dewatering and transport capabilities

The SansGrit efficiently removes contaminants and returns water back to the system process. Turbulence is virtually eliminated with the design of the inlet, shape of the settling chamber, low conveyor rpm, and operation speed.



### High reject removal

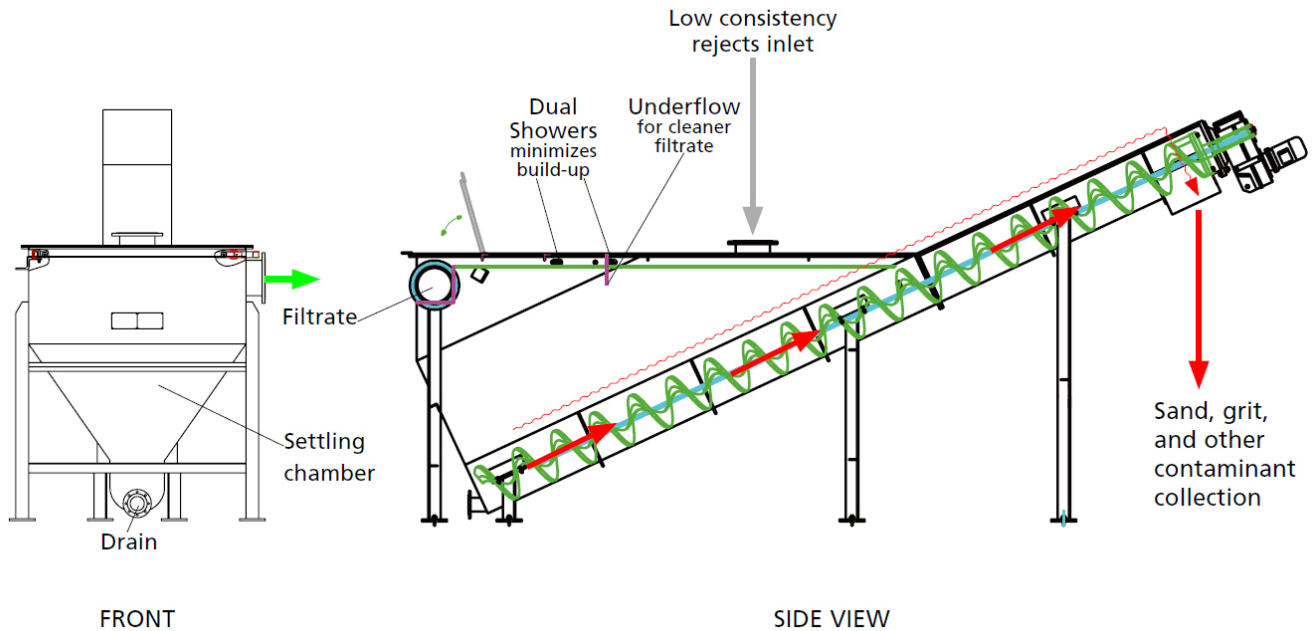
The arrangement of the overflow trough prevents blockage from floating debris. Showers reduce build-up from forming inside the unit.



### Minimal maintenance

Access for regular maintenance is simplified by a direct coupled gear-motor drive, integral drive shaft bearings, shaftless spiral screw, bolt-in liner, hanging bearings and seals (located at the top of the drive, not underwater).

# Sand and grit separator for dewatering of fiber-free rejects



Contact Kadant for specific size and capabilities for your mill application.

## Operation of the SansGrit Separator

Low consistency reject flows enter the SansGrit separator settling chamber where heavier particles – sand, grit, glass, metal – fall to the base of the chamber. The spiral screw transports the heavy particles slowly through the drainage zone to the discharge chute. Separated water overflows a weir for reuse in the system. Showers reduce build-up and force debris into the screw for removal.



Fiber free rejects



The SansGrit operating in a mill



## A Trusted Partner

Stock preparation is in our DNA. We know this industry like few others – your equipment, your processes, and your challenges. We have the know-how and tools to elevate the efficiency of your production. Our team can help monitor, maintain, and upgrade your line, providing process improvements, replacement parts, rebuilds, and comprehensive maintenance plans.

We understand what it takes to remain competitive, protect your investment, and extend the life of your stock preparation assets. To that goal, we offer:

- Field services, inspections, and audits
- Rebuilds and retrofits
- Upgrades and modernizations
- Maintenance and service contracts
- Process control solutions
- Replacement upgrades and spare parts

**Certified Parts and Service 24 Hour Hotline for North America: 1-800-448-5422**

## Expertise to Empower You

Our team is there for you at every step. We help you select the right options to best meet your specific needs.

We have generations of experience, a history of innovation, and a proven record of success across the globe. Our skilled engineers, process professionals, application experts, manufacturing, and field service teams have thousands of successful installations to their credit.

## Get You Running, Keep You Running

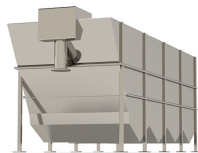
Our technical service and support teams are ready. We provide superior guidance in the planning, design, engineering, installation, and start-up of your systems. Our products and expertise cover the full range of stock preparation and pulping, including:

- Pulping
- Screening
- Cleaning
- Thickening
- Deinking
- Detrashing
- Refining and dispersing
- Reject handling
- Recovery systems
- Heat transfer
- Pulp washing
- Recausticizing

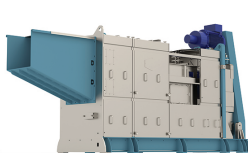
The Kadant **Foundations** product line offers a full range of fiber processing equipment and services.

# Foundations

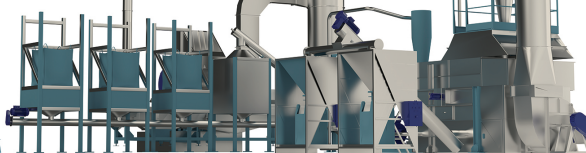
## Reject Handling



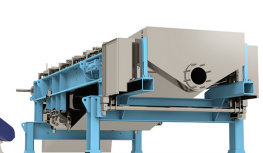
Waste Water Clarifier



Coarse Press



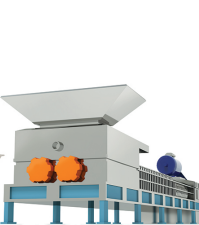
Thermoplastic System



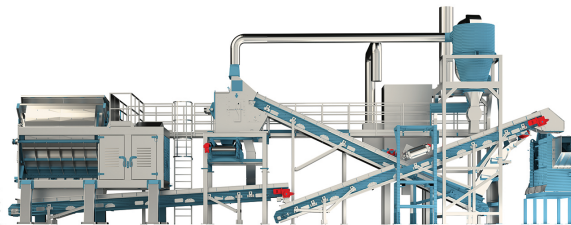
Gravity Table



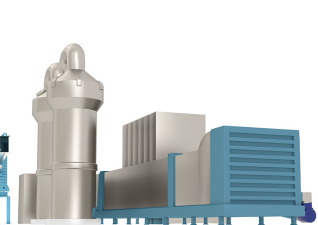
Sand Separator



Fine Double Screw Press



Aeromagnetic Separator and Coarse Reject Shredder



Sludge Dryer

For patent information about this and other Kadant products visit <https://kadant.com/en/patents>

# KADANT

[fiberprocessing.kadant.com](https://fiberprocessing.kadant.com)

Kadant is a global supplier of high-value, critical components and engineered systems used in process industries worldwide.

FROM WASTE TO WORTH  
**UPCYCLING**

North America, Central America, and Japan:

Kadant Black Clawson LLC  
1425 Kingsview Drive  
Lebanon, OH 45036 USA  
Tel: +1-513-229-8100  
Email: [info@kadant.com](mailto:info@kadant.com)

China, Taiwan, and South Korea:

Kadant Fiberline (China) Co. Ltd.  
STE 1960, Beijing Sunflower Tower  
37 Maizidian Street, Chaoyang District, Beijing 100125 China  
Phone: +86-10-65813011/12/13  
Email: [Marketing.KFC@kadant.com](mailto:Marketing.KFC@kadant.com)

EMEA, APAC, and South America:

Kadant Lamort SAS  
39, rue de la Fontaine Ludot,  
B. P. 30046  
Vitry-le-Francois cedex 51302  
Phone: +33-26-74-80-80  
Email: [kadant.lamort@kadant.com](mailto:kadant.lamort@kadant.com)

Kadant Noss AB  
Malmgatan 25  
602 23 Norrkoping, Sweden  
Phone: +46-(0)-11-23-15-00  
Email: [info.kadantnoss@kadant.com](mailto:info.kadantnoss@kadant.com)

SansGrit Separator  
©2024 Kadant Inc  
01/2024