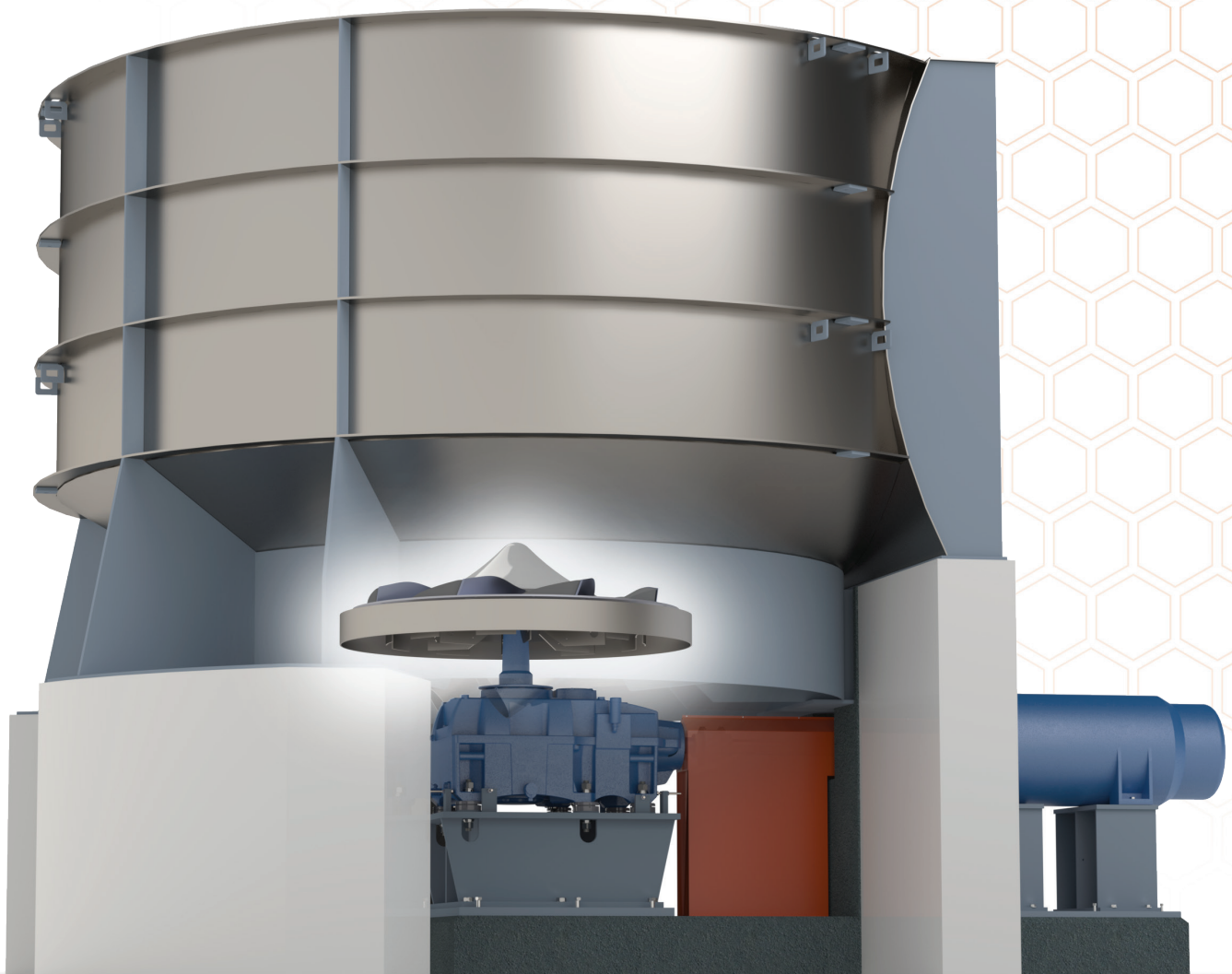


# Wire Blocking 为碎浆机转子 for Pulper Rotors 隔离铁丝

A proven solution for applications with chronic wire damage to the packing area

被证明的解决方案  
目的是解决长期  
铁丝损坏填料区域



# Wire Blocking 为碎浆机转子隔离铁丝 for Pulper Rotors

Hardened protection for your pulper wear plate, packing box, and hub 碎浆机耐磨板、填料箱、动盘最佳保护方案

进入到回收系统和OCC工厂的原料比以前包含更多的杂质，尤其严重的麻烦是重杂质越来越多，如金属碎片、铁丝等。这些碎片可能进入碎浆机的最关键运行部件中，如耐磨板、填料箱、和动盘，影响系统正常运行。

The furnish coming into today's recycling and OCC mills is more contaminated than ever. Particularly troublesome is the growing amount of heavy contaminants such as metal debris and wire. This debris can work its way into some of your most critical running components, your wear plate, packing box, and hub.

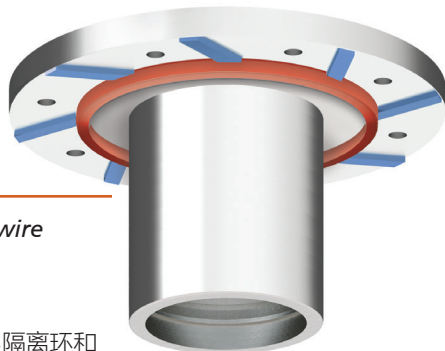
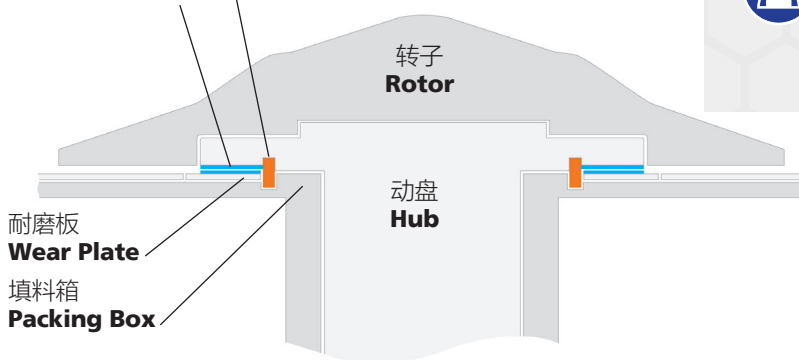
为解决这个日益严重的问题，我们研制出一种新型转子配套组件，包括专门设计的杂质隔离装置。这包括一个动盘带铁丝隔离环和“班戈”条。这些组件与填料箱、耐磨板协同工作，以传送转移有破坏性的杂质，并使之远离碎浆机重要运行部件。To combat this growing problem, we have developed a rotor assembly with specially designed debris barriers. This includes a hub with a wire barrier ring and "bangor" strips. These work with corresponding features on the upgraded packing box and wear plate to deflect damaging debris away from vital running parts.

## Wire Barrier Ring

铁丝隔离环

## Bangor Strips

班戈条



碎浆机动盘带铁丝隔离环和班戈条

## Benefits



### 节约成本

#### Cost Savings

减少由于破坏性杂质增多引起的宝贵停机时间  
Reduces expensive downtime caused by increasing amounts of damaging debris  
保护碎浆机最关键部件，延长碎浆机动盘组件寿命  
Protects the most critical pulper parts and extends the life of the hub



### 质量改进

#### Quality Improvements

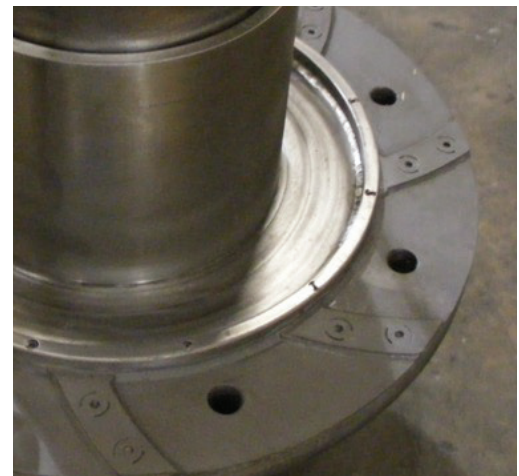
允许您处理污染最严重原料  
Allows you to handle the most heavily contaminated furnish  
将最糟糕的杂质移除出您的系统，远离关键部件  
Keeps the worst debris headed out of your system and away from vital components



### 升级简单

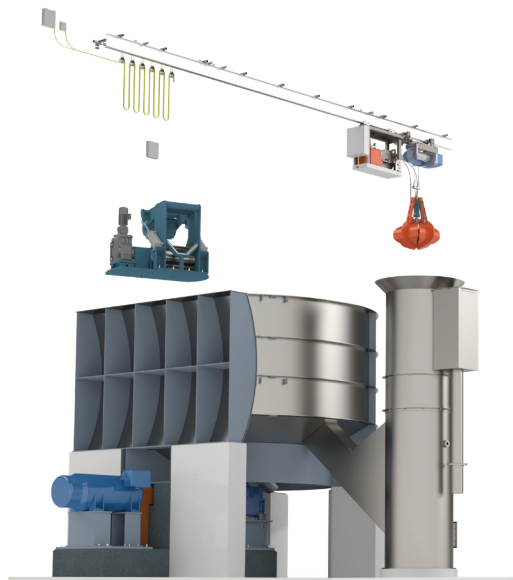
#### Easy Upgrade

正常设备停机期间，即可进行升级操作  
Upgrade can be easily installed during a normal service outage

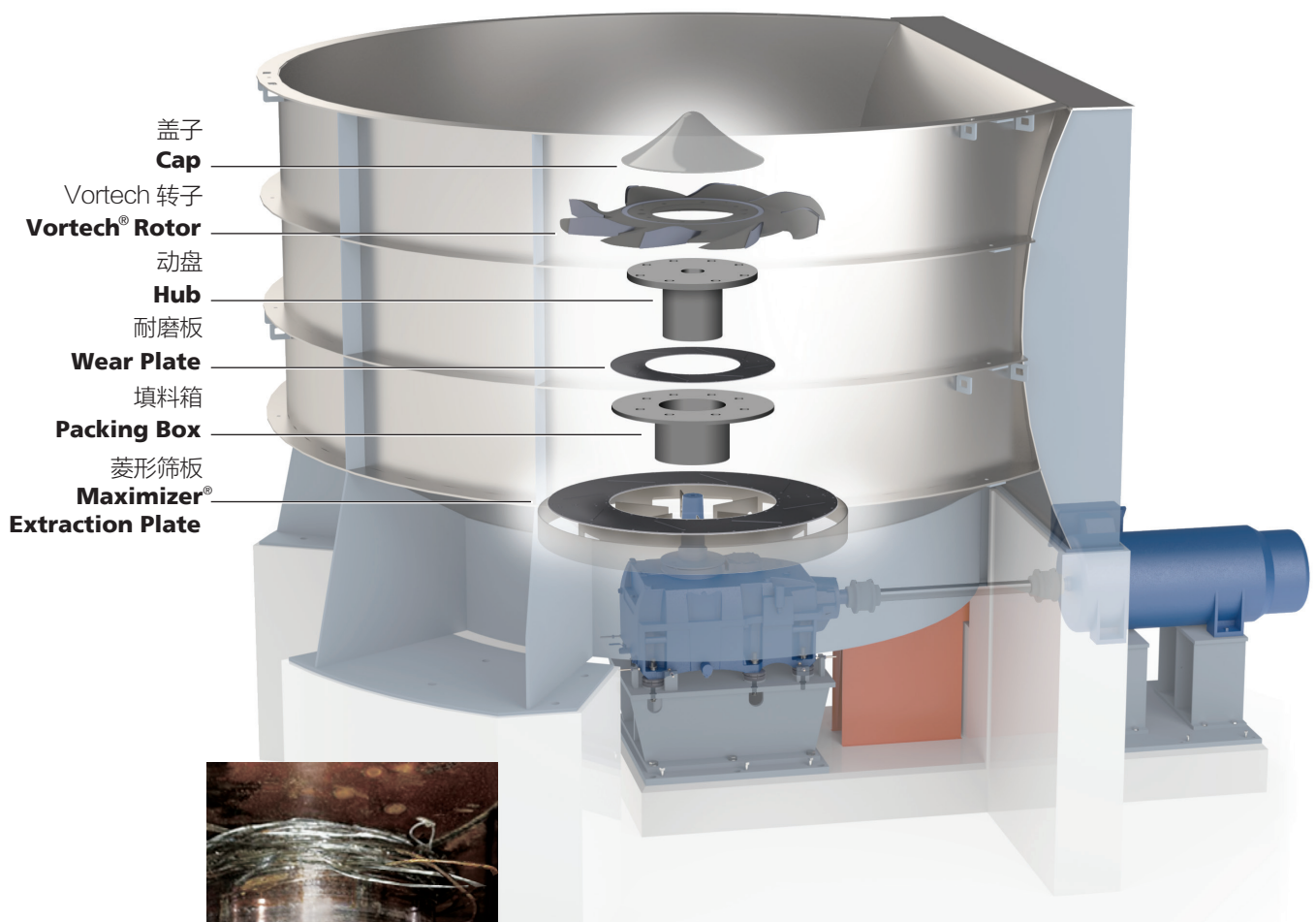


中心组件的底面清楚地显示铁丝隔离环和班戈条。一个匹配的耐磨板和填料箱，完成升级。

中心组件的底面清楚地显示铁丝隔离环和班戈条。一个匹配的耐磨板和填料箱，完成升级。



Your best defense against wire and wear, the Hydrapulper Pulping System with wire blocking technology  
 碎浆机系统，带铁丝隔离技术，您解决铁丝磨损的最佳防护方案



*A wire tangled pulper hub like this is avoidable.*



如图所示铁丝缠绕碎浆机动盘是不可避免的

**Prevent unnecessary wire damage to your pulper. Contact Kadant Black Clawson for an evaluation and estimate.**

为防止不必要的铁丝损坏您碎浆机，请联系凯登专家进行评估。

## 凯登 – 您最可靠的合作伙伴 A Trusted Partner

浆料制备系统是凯登核心业务，我们精通制浆设备产业，包括设备、流程，和您遇到的各种挑战。凯登拥有极高的专业技能和各种专业方法，用来评估您的制浆生产线效率。我们团队可以帮助您监控，维持和升级您现有的制浆生产线，提供过程控制改进措施，配件更换，系统翻新重建等各类综合服务方案。

Stock preparation is in our blood. We know this industry like few others – your equipment, your processes, and your challenges. We have the know-how and tools to elevate the efficiency of your production. Our team can help monitor, maintain, and upgrade your line, providing process improvements, replacement parts, rebuilds, and comprehensive maintenance plans.

凯登精通如何保证您的投资具有可竞争性，如何延长您的制浆生产线的生命周期。为了达到这个目的，凯登提供：

We understand what it takes to remain competitive, protect your investment, and extend the life of your stock preparation assets. To that goal, we offer:

- 现场服务、检查和审查
- Field services, inspections, and audits
- 翻新和重建
- Rebuilds and retrofits
- 设备升级现代化
- Upgrades and modernizations
- 维修和服务合同
- Maintenance and service contracts
- 过程控制解决方案
- Process control solutions
- 备件升级和配件
- Replacement upgrades and spare parts

## 凯登帮助客户拥有最先进的制浆生产线 Expertise to Empower You

凯登团队随时帮助客户选择正确的方案，满足客户特殊的需求。Our team is there for you at every step. We help you select the right options to best meet your specific needs.

凯登几代专家经验与创新精神，在全球制浆领域取得了成功。凯登技术、工艺工程师、应用专家、制造和现场服务团队，已帮助客户成功安装并运行了数千条制浆生产线设备。

We have generations of experience, a history of innovation, and a proven record of success across the globe. Our skilled engineers, process professionals, application experts, manufacturing, and field service teams have thousands of successful installations to their credit.

## 凯登帮助客户在行业内领跑 Get You Running, Keep You Running

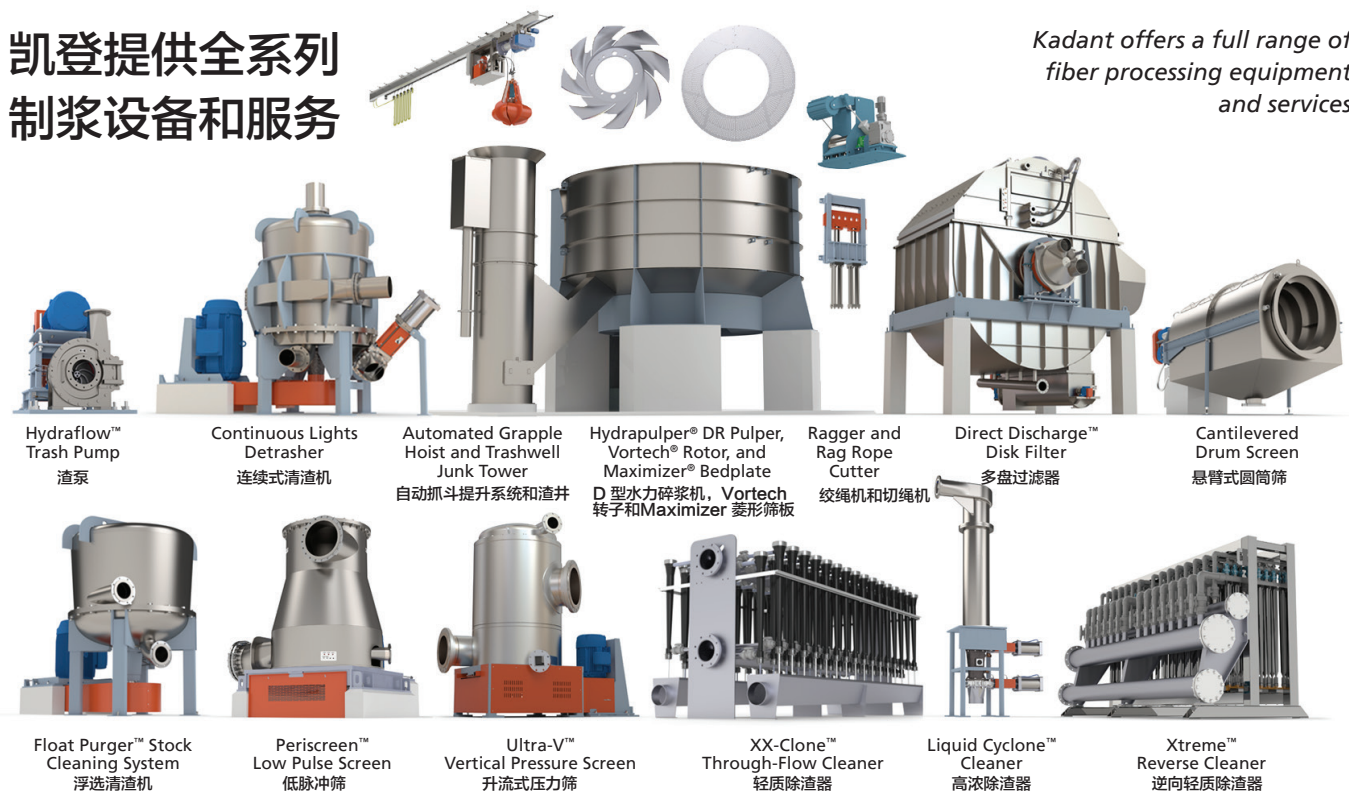
凯登技术服务和支持团队随时准备为客户提供优质服务，为客户制浆生产线系统规划、设计、工程、安装和开机提供卓越指导。凯登产品和专业知识涵盖备浆和制浆所有设备，包括：

Our technical service and support teams are ready. We provide superior guidance in the planning, design, engineering, installations, and start-up of your systems. Our products and expertise cover the full range of stock preparation and pulping, including:

- |                     |                                |
|---------------------|--------------------------------|
| • Pulping 碎解        | • Refining&dispersing 磨浆机和分散系统 |
| • Screening 筛选      | • Reject handling 去尾渣处理系统      |
| • Cleaning 净化       | • Recovery systems 回收系统        |
| • Thickening 浓缩     | • Heat transfer 热交换器           |
| • Deinking 脱墨       | • Pulp washing 纸浆清洗系统          |
| • Detrashing 杂质清除系统 | • Reausticizing 苛化器            |

## 凯登提供全系列 制浆设备和服务

*Kadant offers a full range of  
fiber processing equipment  
and services*



# KADANT

[www.kadant.com](http://www.kadant.com)

Kadant is a global supplier of high-value, critical components and engineered systems used in process industries worldwide.

KADANT FIBERLINE (CHINA) CO., LTD.  
Suite 1960, Beijing Sunflower Tower  
No.37 Maizidian Street, Chaoyang District, Beijing 100125, China

Tel: +86-10-68513011/12/13  
Fax: +86-10-65812268  
Email: [info@kadant.com](mailto:info@kadant.com)

Wire Blocking for Pulper Rotors (CN)  
©2019 Kadant Fiberline(China)Co.,Ltd.  
07/2019