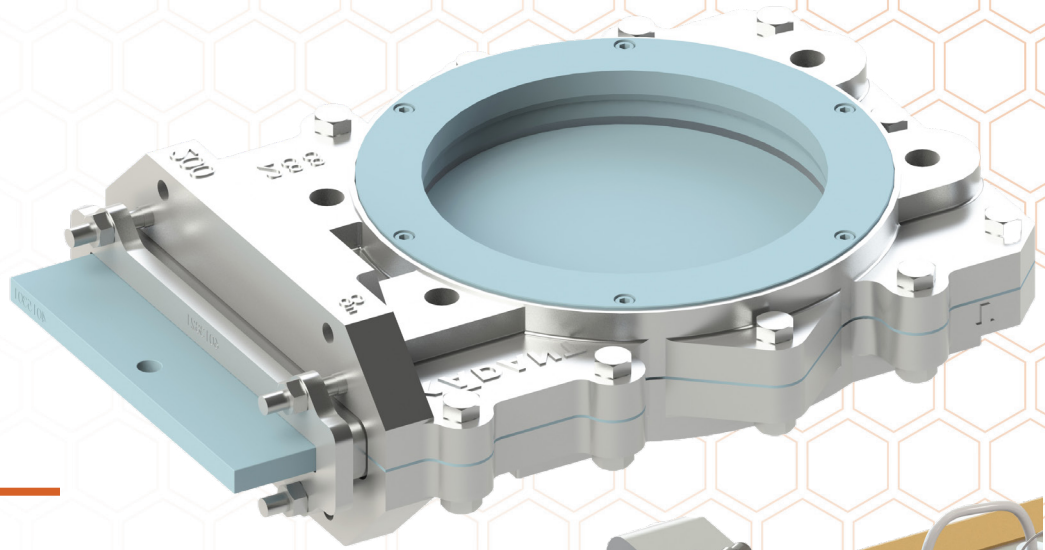
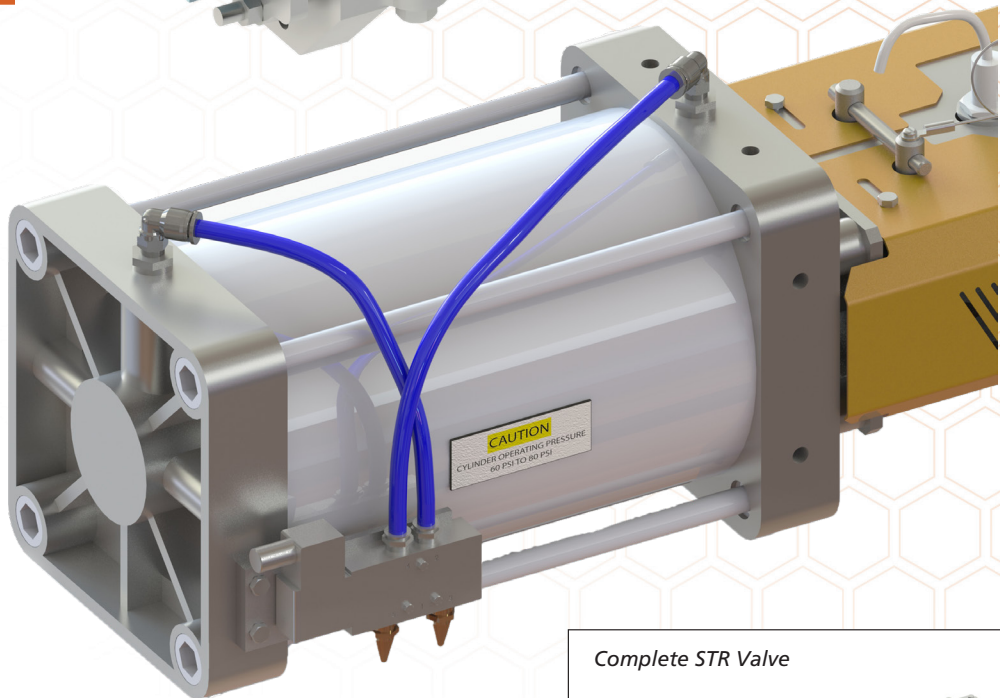


STR Rebuild Kits

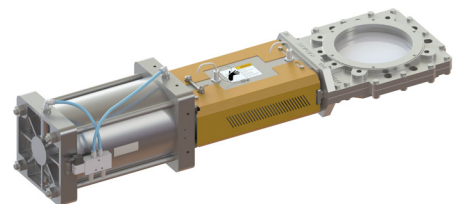
Cost-effective replacement parts for the STR Valve line



Severe-duty valve for cleaning and detrasing applications

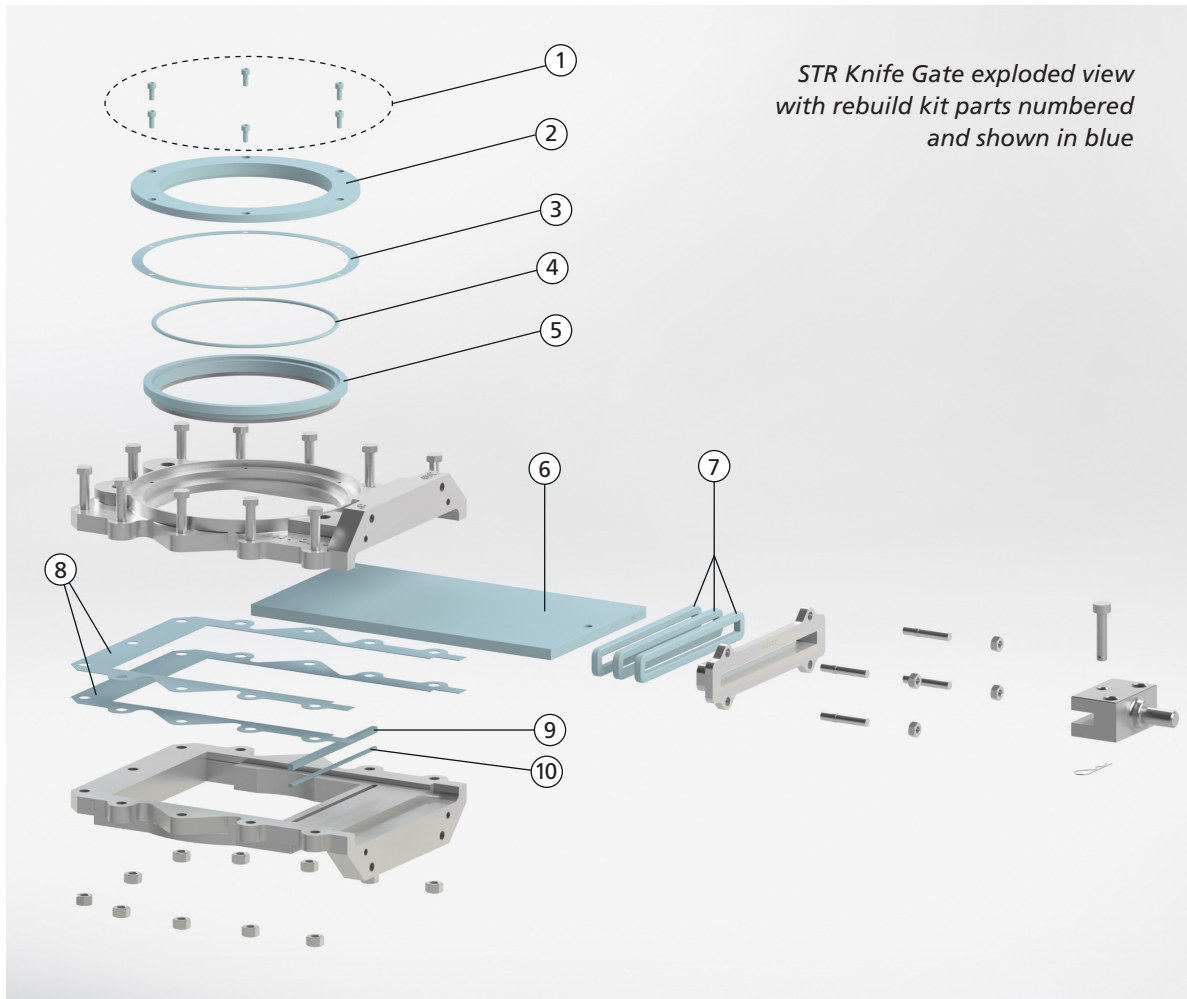


Complete STR Valve



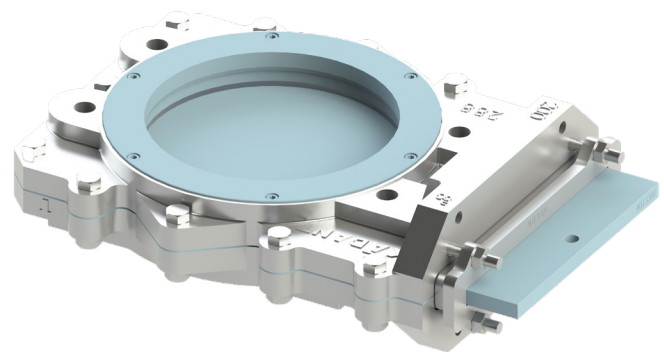
STR Rebuild Kits

STR Valve Knife Gate



Parts included in the STR Valve Knife Gate Rebuild Kit:

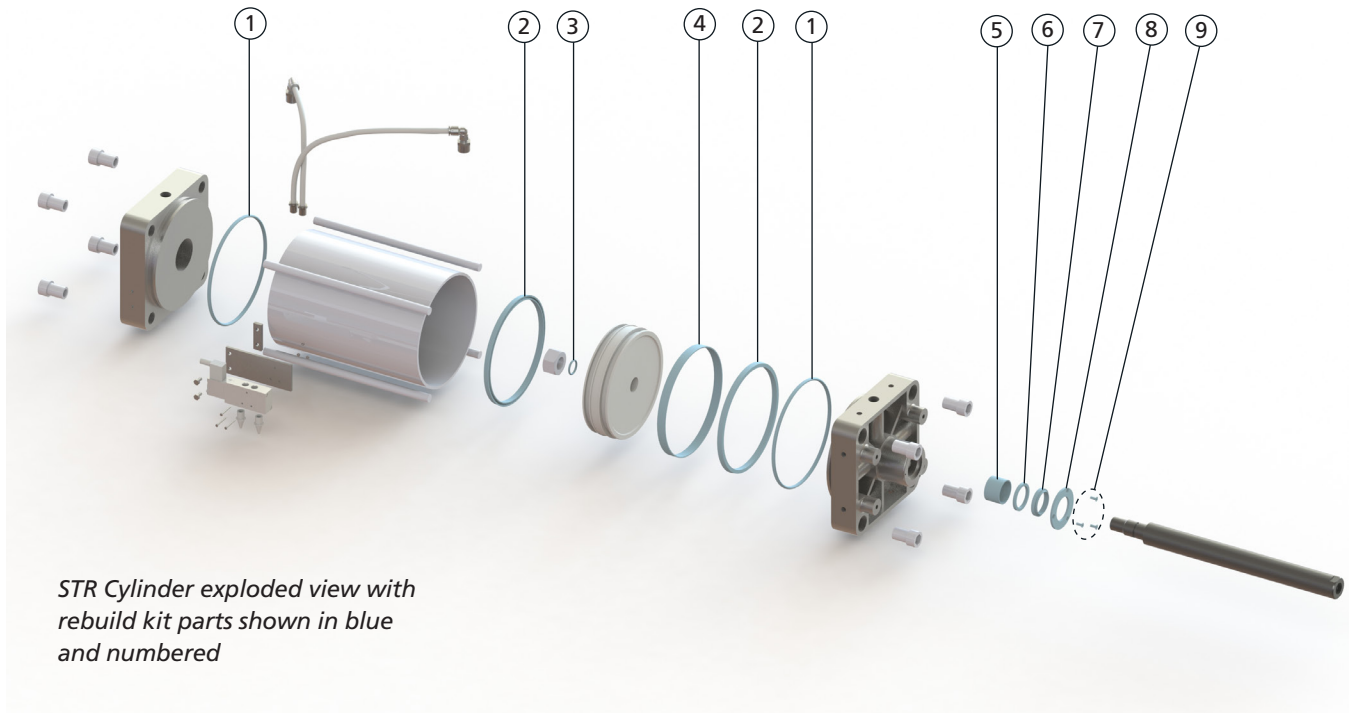
Item	Kit Part Description	Quantity
1	Retainer screws	6
2	Retainer ring	1
3	Retainer ring gasket	1
4	Compression ring	1
5	Seat	1
6	Slide gate	1
7	Packing	3
8	Valve body gasket	2
9	Scraper	1
10	Compression cord	1



STR Knife Gate

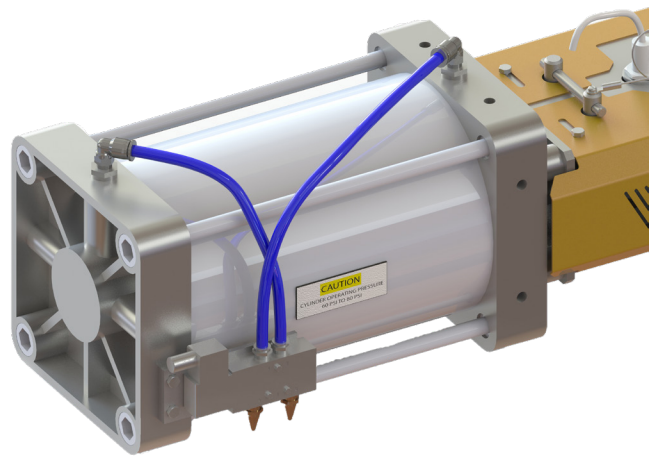
Cost-effective maintenance

STR Cylinder



Parts included in the STR Valve Cylinder Rebuild Kit:

Item	Kit Part Description	Quantity
1	O-ring cylinder end plate	2
2	Piston seal ring	2
3	O-ring - shaft/piston 3.1 x 22.5 ID	1
4	Wear sleeve	1
5	Bushing 40mm 10 x 44mm OD x 30mm	1
6	Shaft cup seal	1
7	Wiper rod seal	1
8	Seal retainer plate	1
9	M4 x 12 Flathead screw	3



STR Cylinder

Please note: This kit is designed to service the latest STR Cylinder upgrade and supercedes all other earlier rebuild kits.

A Trusted Partner

Stock preparation is in our DNA. We know this industry like few others – your equipment, your processes, and your challenges. We have the know-how and tools to elevate the efficiency of your production. Our team can help monitor, maintain, and upgrade your line, providing process improvements, replacement parts, rebuilds, and comprehensive maintenance plans.

We understand what it takes to remain competitive, protect your investment, and extend the life of your stock preparation assets. To that goal, we offer:

- Field services, inspections, and audits
- Rebuilds and retrofits
- Upgrades and modernizations
- Maintenance and service contracts
- Process control solutions
- Replacement upgrades and spare parts

Certified Parts and Service 24 Hour Hotline for North America: 1-800-448-5422

Expertise to Empower You

Our team is there for you at every step. We help you select the right options to best meet your specific needs.

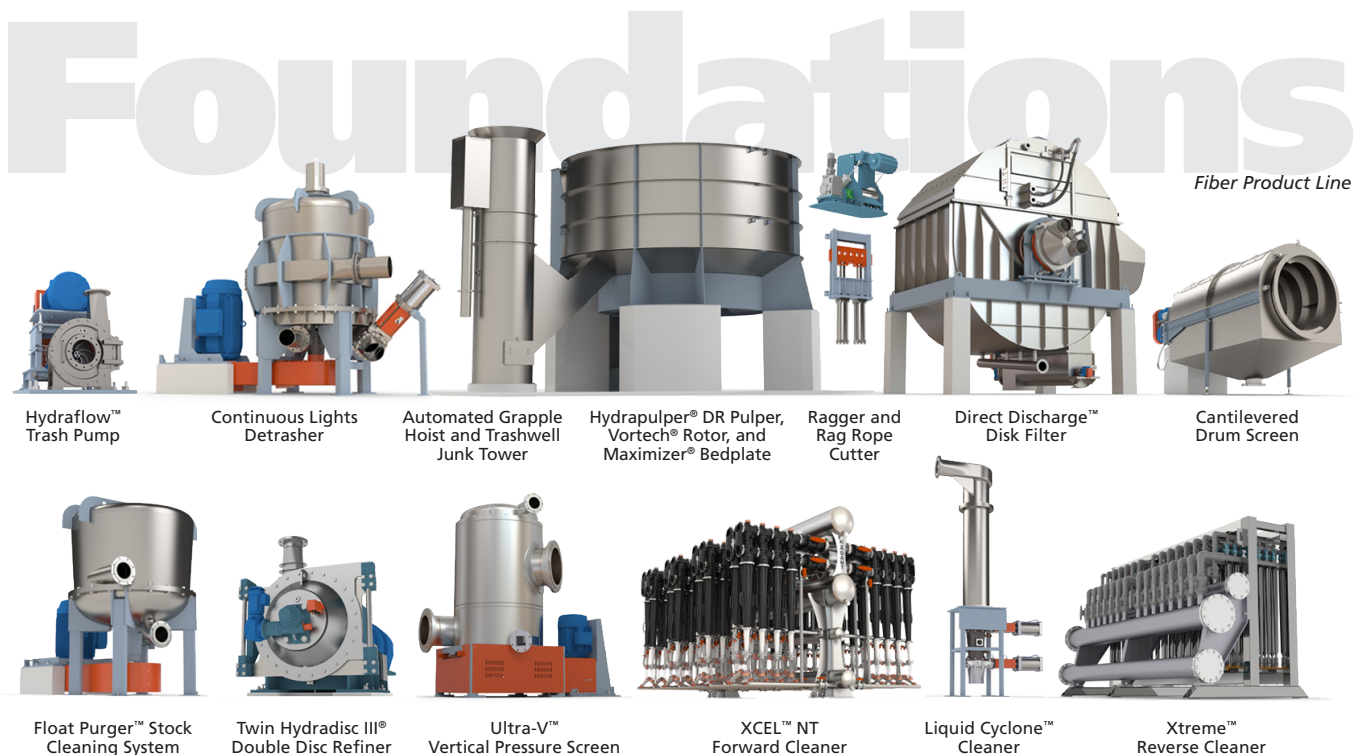
We have generations of experience, a history of innovation, and a proven record of success across the globe. Our skilled engineers, process professionals, application experts, manufacturing, and field service teams have thousands of successful installations to their credit.

Get You Running, Keep You Running

Our technical service and support teams are ready. We provide superior guidance in the planning, design, engineering, installation, and start-up of your systems. Our products and expertise cover the full range of stock preparation and pulping, including:

- Pulping
- Screening
- Cleaning
- Thickening
- Deinking
- Detrashing
- Refining and dispersing
- Reject handling
- Recovery systems
- Heat transfer
- Pulp washing
- Recausticizing

The Kadant Black Clawson **Foundations** product line offers a full range of fiber processing equipment and services.



For patent information about this and other Kadant products visit <https://kadant.com/en/patents>

KADANT

fiberprocessing.kadant.com Kadant is a global supplier of high-value, critical components and engineered systems used in process industries worldwide.

North America, Central America, and Japan:
Kadant Black Clawson LLC
1425 Kingsview Drive
Lebanon, OH 45036 USA
Tel: +1-513-229-8100
Email: info@kadant.com

China, Taiwan, and South Korea:
Kadant Fiberline (China) Co. Ltd.
STE 1960, Beijing Sunflower Tower
37 Maizidian Street, Chaoyang District, Beijing 100125 China
Phone: +86-10-65813011/12/13
Email: Marketing.KFC@kadant.com

EMEA, APAC, and South America:
Kadant Lamort SAS
39, rue de la Fontaine Ludot,
B. P. 30046
Vitry-le-Francois cedex 51302
Phone: +33-26-74-80-80
Email: kadant.lamort@kadant.com

Kadant Noss AB
Malmgatan 25
602 23 Norrkoping, Sweden
Phone: +46-(0)-11-23-15-00
Email: info.kadantnoss@kadant.com

STR Rebuild Kits
©2024 Kadant Inc
01/2024